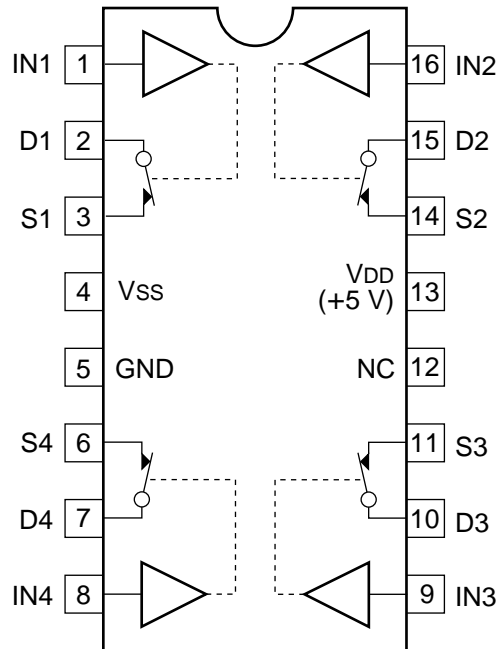


## C-MOS QUAD SPST ANALOG SWITCH

—TOP VIEW—



### INPUT/OUTPUT

D1 - 4 : DRAIN 1 - 4

S1 - 4 : SOURCE 1 - 4

### INPUT

IN1 - 4 : LOGIC CONTROL 1 - 4